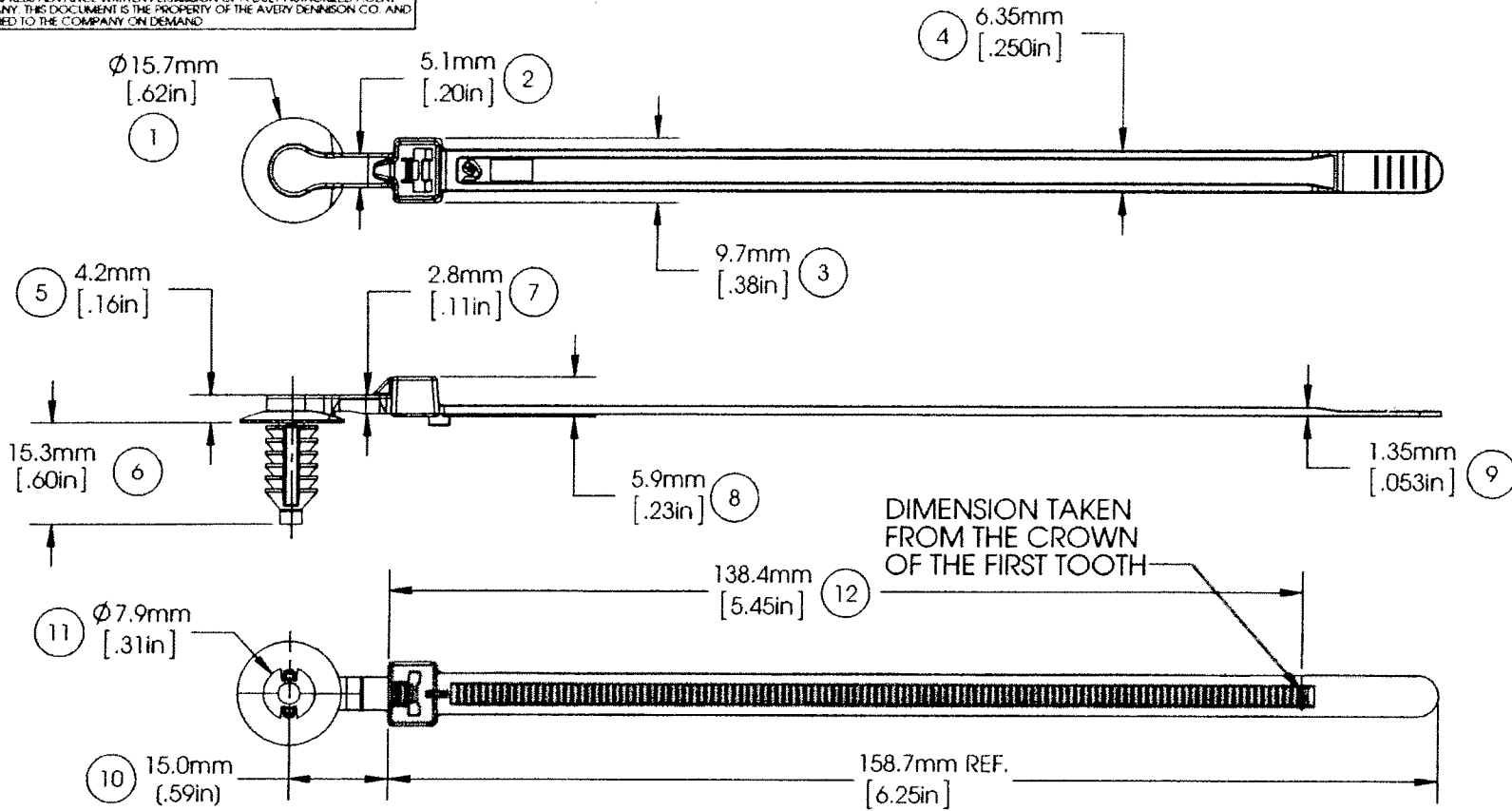


# AVERY DENNISON MARKETING SPECIFICATION

## HISTORY

REV.	DATE	DESCRIPTION
A	06-23-14	RELEASED

THE SUBJECT MATTER DISCLOSED HEREIN EMBODIES PROPRIETARY INFORMATION WHICH IS THE CONFIDENTIAL PROPERTY OF THE AVERY DENNISON CO. NONE OF WHICH SHALL BE COPIED, REPRODUCED, DISCLOSED TO OTHERS, PUBLISHED OR USED IN WHOLE OR IN PART, FOR ANY PURPOSE OTHER THAN THAT FOR WHICH IT IS BEING MADE AVAILABLE WITHOUT THE EXPRESS ADVANCE WRITTEN PERMISSION OF A DULY AUTHORIZED AGENT OF THE COMPANY. THIS DOCUMENT IS THE PROPERTY OF THE AVERY DENNISON CO. AND IS TO BE RETURNED TO THE COMPANY ON DEMAND.



MOUNTING:	$\varnothing 6.60\text{MM} \pm 0.25\text{MM}$ HOLE AND $6.35\text{MM}$ HEX HOLE. PANEL THICKNESS OF $0.7\text{MM}$ TO $7.0\text{MM}$ .			
TENSILE STRENGTH:	50 LBF / 222.4N MIN.			
TEMPERATURE RANGE:	-40°F (-40°C) TO 239°F (115°C) CONTINUOUS AND 257°F (125°C) AT MAXIMUM EXPOSURE			
WEIGHT:	2.01 GRAMS EACH			
BUNDLE DIAMETER:	$\varnothing 1/16"$ (1.6MM) TO $\varnothing 1 - 1/2"$ (38.1MM)	APPROVALS:	ENG. APPR. <i>Daniel M. [Signature]</i> 6-23-14 Q.A. APPR. <i>Paula Rebelka</i> 6-23-14	<b>AVERY DENNISON</b> <small>FASTENER DIVISION                      FITCHBURG, MA 01420 U.S.A.                      TEL: 1-800-225-5913                      FAX: 978-355-8157</small>
INSTALLATION TOOL:	12001 - HAND TOOL 12500 - PNEUMATIC TOOL	SPECIFIED TOLERANCES INCHES      MM .XX $\pm$ .03      .X $\pm$ .7 .XXX $\pm$ .01      .XX $\pm$ .25 ANGULAR: $\pm 2^\circ$	MATERIAL <b>NYLON 6/6,                      IMPACT MODIFIED, HEAT STABILIZED</b>	DESCRIPTION <b>15MM LIFT OFFSET TIE - REV.</b>
TOOL TENSION SETTING:	6 - 8	COLOR <b>GREY</b>	STOCK NO. <b>20161-0</b>	REV. <b>A</b>
PACKAGING:	1000/BAG, 5 BAGS/MASTER			